

### SM SERIES

#### 超小型品 SUPER MINIATURE SIZE

成品之本體縮短至 5 mm,適合供應小型化之電子產品。

Developed short body length to 5mm, for the demand of smaller and thinner electronic equipment.

適用於高密度之電子設備,例如:OA 機器、電子計算機、汽車音響、小型卡式錄放音機.....等。

Most suitable for high-density electronic equipment, such as: automatic office machines, pocket calculators, car stereos and micro-cassette tape recorders, etc.

#### Electrical Characteristics 電器特性

Working Voltage : 6.3 50VDC

額定電壓

Operating Temperature : -40 +105

溫度範圍

Capacitance Tolerance(120 Hz, 25 ) : -20 +20%(M)

靜電容量容許差

DC Leakage Current (  $\mu$  A ) :  $I=0.01CV$ (  $\mu$  A ) or 3  $\mu$  A, Whichever is Greater.

洩漏電流 (After 2 minutes Application of DC Working Voltage at 25 )

Surge Voltage 湧浪電壓 : at 25

WV : 6.3 10 16 25 35 50

S.V. : 8 13 20 32 44 63

Dissipation Factor 散逸因素 : at 120Hz, 25

WV : 6.3 10 16 25 35 50

DF% : 24 20 17 15 12 10

Load Life 高溫負荷特性 : 1000 Hours at 105

Capacitance Change: Within 20% of Initial Value

Dissipation Factor: Not Exceed 200% of Initial Requirement

Leakage Current: Not Exceed The Initial Requirement

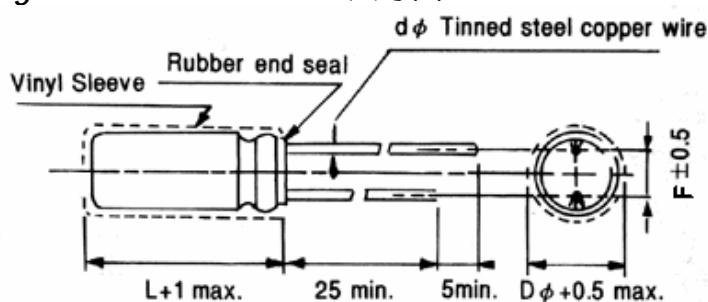
Shelf Life 放置特性 : 500Hours , No Voltage Applied

Capacitance Change: Within 20% of Initial Value

Dissipation Factor: Not Exceed 200% of Initial Requirement

Leakage Current: Not Exceed 200% of Initial Requirement

#### Diagram Of Dimensions 尺寸圖



D	4	5	6
F	1.5	2.0	2.5
d	0.45		

### Case Size and Permissible Ripple Current

CAP(μF)	RATED VOLTAGE V WV											
	6.3(8)		10(13)		16(20)		25(32)		35(44)		50(63)	
	DxL	R.C.	DxL	R.C.	DxL	R.C.	DxL	R.C.	DxL	R.C.	DxL	R.C.
0.1											4x5	1
0.22											4x5	2
0.33											4x5	3
0.47											4x5	4
1											4x5	9
2.2											4x5	13
3.3											4x5	17
4.7							4x5	16	4x5	18	5x5	20
10					4x5	23	4x5	27	5x5	30	6x5	33
22	4x5	28	4x5	33	5x5	37	5x5	42	6x5	48		
33	4x5	37	4x5	41	5x5	49	6x5	53				
47	5x5	45	5x5	52	6x5	58						
100	6x5	70	6x5	80	6x5	85						
220	6x5	85										

Case Size: DxL in mm

Ripple Current : mA rms at 105 120Hz